



Geopal GPU-45A

Geopal Control and Power Unit for gas detectors is a part of Geopal's gas alarm monitors for detection of gases in a range of applications.

The system offers a user-friendly interface, based on TFT touch screen for easy overview and configuration.

GPU-45R 1-8 and 1-16: 5,7"

GPU-45R 1-32: 7"

GPU-45R 1-64: 12"

The output relays can facilitate a range of external functions such as:

- Controlling ventilation systems
- Basic audio or visual alarms



Geopal GPU-45A standard features:

- Service function mode for easy and safe calibration and maintenance
- Modbus RTU (RS-485 2-wire)
(Optional: Modbus TCP, LONbus, Profibus)
- Digital inputs for call points
- Built in event log
- Remote screens

Custom functions and features are available upon request.



Remote Screen



geopal[®]

Skelstedet 10B - DK-2950 Vedbæk, Danmark

Tel. +45 45 67 06 00

www.geopal.dk · info@geopal.dk

EA17505LE - Specification can be changed without notice



DIC444QMS



DBI reg.no. 233.301



SP14ATEX7159

GPU-45A Technical Data

System Overview

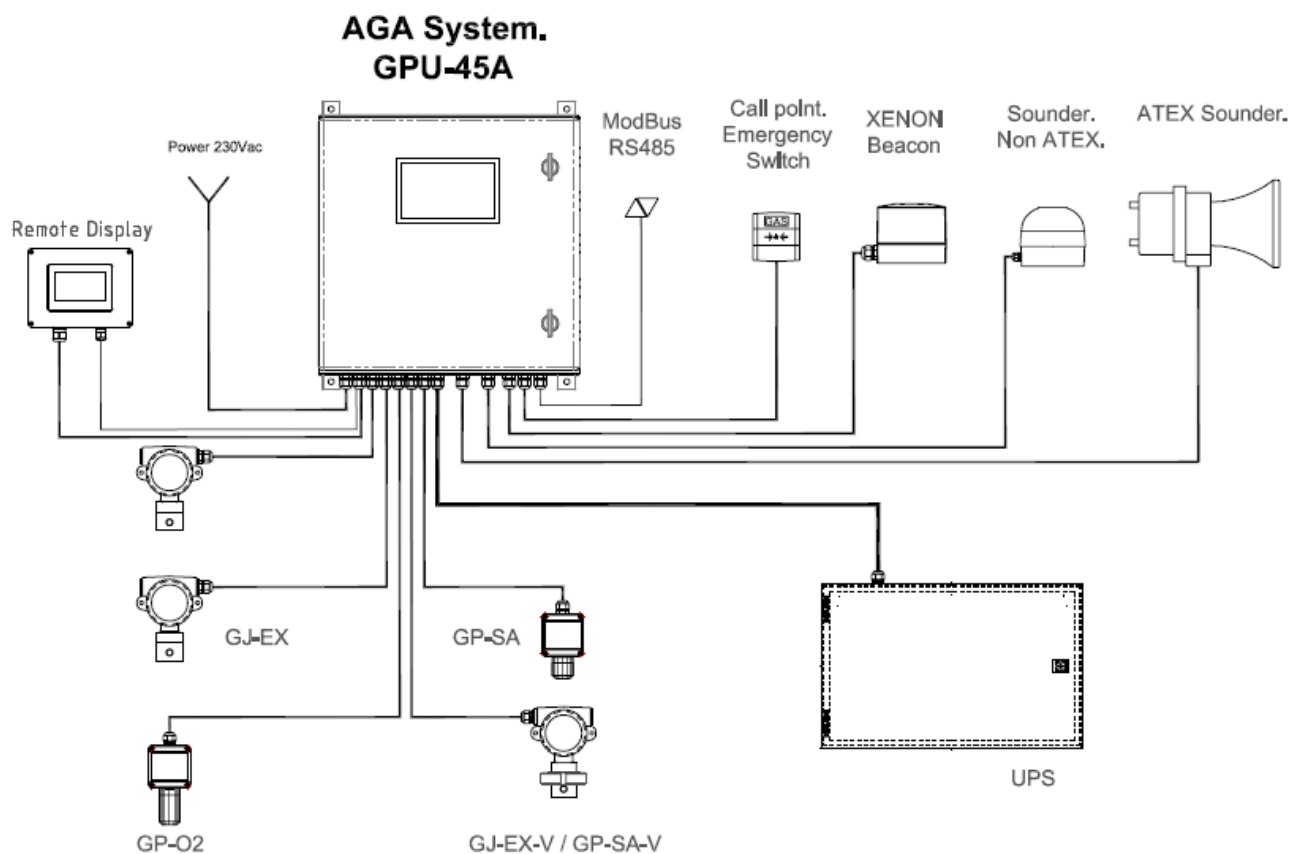


Figure 1 Overview of inputs and outputs of the GPU-45A

*Available in the following standard versions:

GPU-45A8	Up to 8 detector inputs
GPU-45A16	Up to 16 detector inputs
GPU-45A32	Up to 32 detector inputs
GPU-45A64	Up to 64 detector inputs
GPU-45B	Up to 64 inputs (Modbus)

geopal[®]

Skelstedet 10B - DK-2950 Vedbæk, Danmark

Tel. +45 45 67 06 00

www.geopal.dk · info@geopal.dk

EA17505LE - Specification can be changed without notice



DIC444QMS



DBI reg.no. 233.301



SP14ATEX7159

GPU-45A

Technical Data

GPU-45A

Supply voltage	110 - 240VAC 50/60 Hz		
Available gases	Depends on the detector		
Response time T90, to gases	See detector data sheet		
Calibration	Performed in the detectors or monitor GPU-45A		
Detector Input	4-20mA input signal (active or passive)/ 0,8-4 V / Modbus		
Detector supply	24VDC, 250mA/ 5V (per detector)		
Relay Outputs	10/26/52 programmable relays Max load is 230VAC 6A		
Communication Outputs	Standard: Modbus RTU (RS-485 2-wire) Optional: MODBUS TCP, LONbus, Profibus		
Cable between detector and alarm monitor	2-4 conductors 0,75/1 or 1.5 mm ² shielded		
Cabinet	Steel (standard)		
Front panels	Dull green label with print		
Indicators	Green, red and yellow indicators in LCD screen.		
IP rating	IP 65 (IEC 6052)		
Mechanical dimensions	GPU-45A8	(HxWxD)	400x400x210
	GPU-45A8 UPS	(HxWxD)	500x500x210
	GPU-45A16 std or UPS	(HxWxD)	500x500x210
	GPU-45A32 std or UPS	(HxWxD)	800x600x300
	GPU-45A64 std or UPS	(HxWxD)	800x600x300
	GPU-45B Modbus	(HxWxD)	400x400x210
Operating conditions:	Temperature	-10 °C to +50 °C	
	Humidity	0 %RH to 95 %RH	
	Pressure	1013 mbar ±10%	
UPS	Available as option		
Configurable settings for each input	<ul style="list-style-type: none"> - Gas Name or tag name - Gas unit - Measuring range - Alarm 1 level, rising or falling alarm, man. or auto reset - Alarm 2 level, rising or falling alarm, man. or auto reset - Fault level man. or auto reset - Model 32/64 relays active or passive 		
Suitable detectors	GP-SA, GP-SA-V, GP-CO, GP-CO ₂ , GP-CO ₂ -V, GP-ELK, GP-O ₂ GJ-EX, GJ-EX-V, GJ-OX		
Approvals (<i>Directives and Standards</i>)	Electromagnetic Compatibility Directive (EMC) 2014/30/EU Low Voltage Directive 2014/35/EC EN 60 204-1; EN 61 010-1; EN 61 326-1 (2013); EN 61 000-6-2 (2005); EN 61 000-6-3 (2012); EN 50 270 (2015)		
Quality	ISO 9001:2015		

GPU-R

Supply voltage	24 V from GPU-45A (standard) / 110 - 240VAC 50/60 Hz		
Communication to GPU-45A	MODBUS TCP		
Dimensions	GPU-R8	4,3" screen (HxWxD)	200x150x80
	GPU-R16	4,3" screen (HxWxD)	200x150x80
	GPU-R32	7" screen (HxWxD)	400x300x210
	GPU-R64	12" screen (HxWxD)	500x400x200

